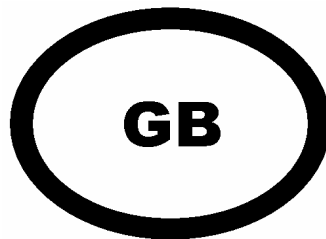


Vapac®

Gas fired Humidifier

Parts List

Edition 1

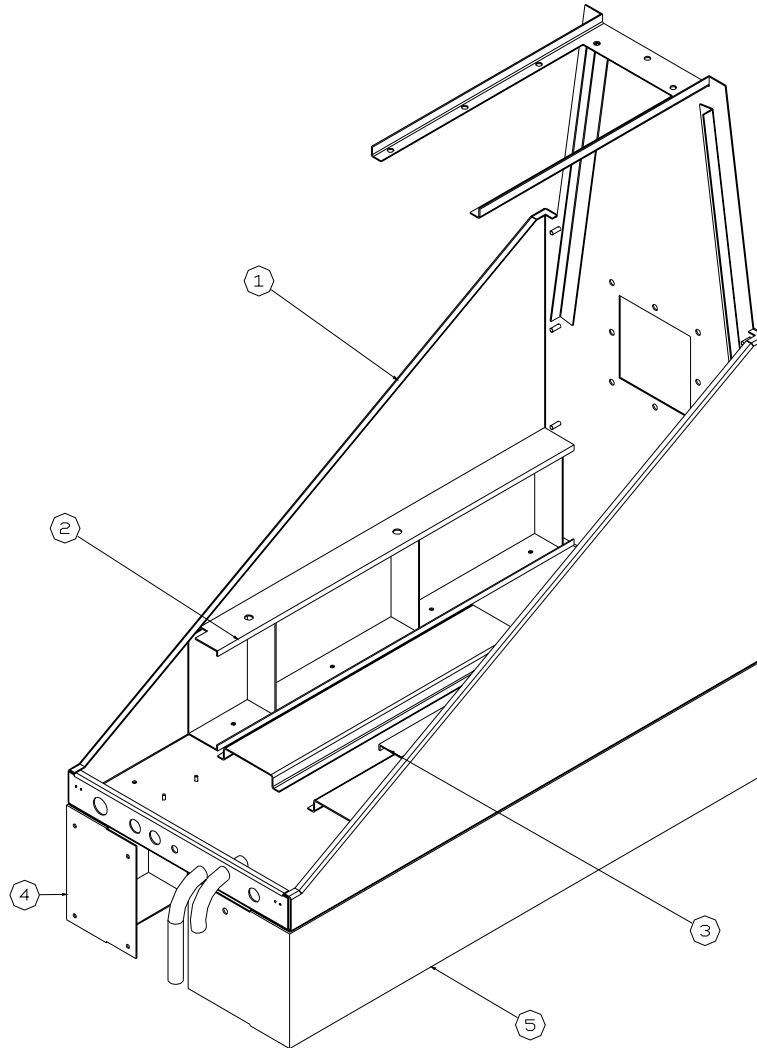


**Installation in countries covered by EC Directives:
This product will meet the requirements of the Low Voltage Safety
Directive 73 / 23 EEC and the EMC Directive 89 / 336 EEC when
installed in accordance with the instructions contained in this
manual. Failure to comply with these instructions may invalidate the
manufacturer's warranty or any certificate/declaration of
conformance requested to be supplied with the unit.**

INDEX

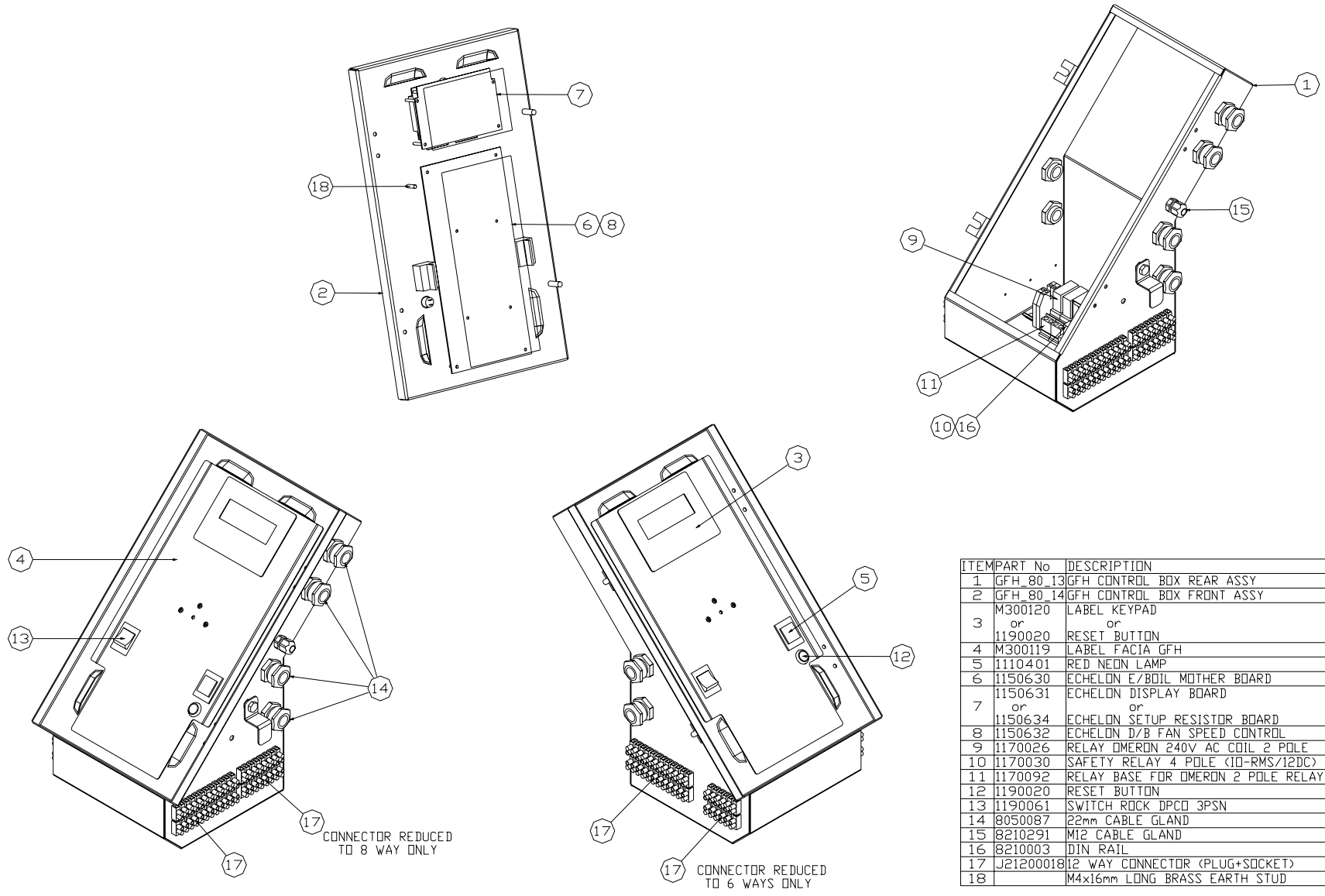
Contents	Page
Chassis Assembly	2
Control Box and Panel	4
Chassis Plinth Details	5
Boiler Assembly Details	6&7
Flue Details and Fixing	8
Cover Details	9

STEP 11: CASING



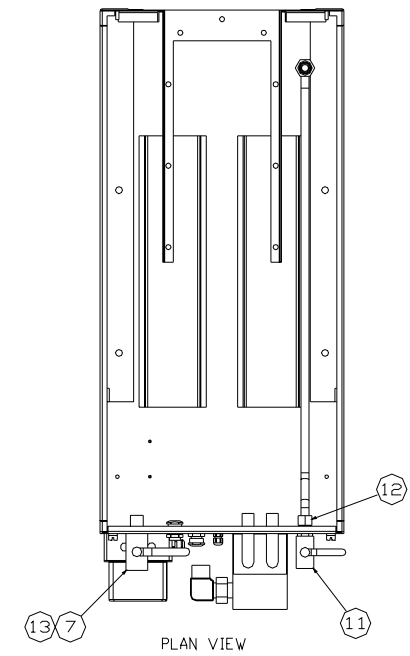
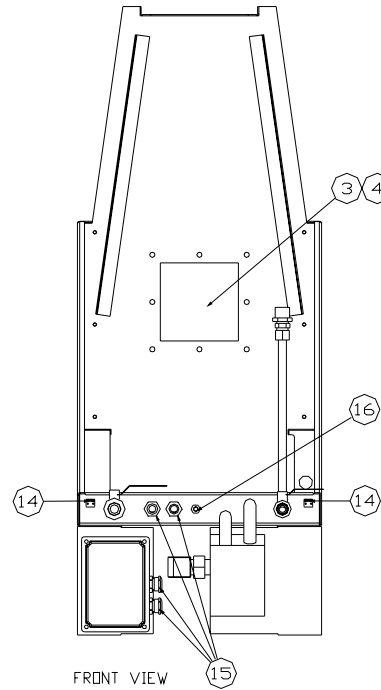
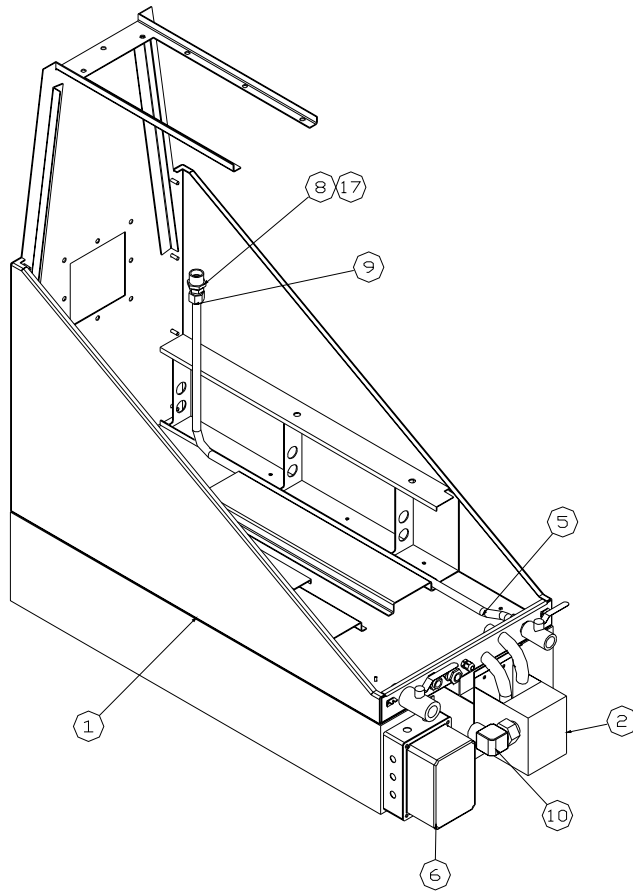
ITEM	PART No	DESCRIPTION	QTY
1	GFH_80_1	80kg/h GFH CHASSIS ASSY	1
2	GFH_80_2L	80kg/h GFH BOILER LH SUPPORT CHANNELS	1
3	GFH_80_2R	80kg/h GFH BOILER RH SUPPORT CHANNELS	1
4	GFH_80_11L	80kg/h GFH CASING LH SUPPORT CHANNELS	1
5	GFH_80_11R	80kg/h GFH CASING RH SUPPORT CHANNELS	1

STEP '2': CONTROL PANEL



ITEMPART No	DESCRIPTION	QTY
1	GFH 80 13 GFH CONTROL BOX REAR ASSY	1
2	GFH 80 14 GFH CONTROL BOX FRONT ASSY	1
3	M300120 LABEL KEYPAD or 1190020 RESET BUTTON	1
4	M300119 LABEL FACIA GFH	1
5	1110401 RED NEON LAMP	1
6	1150630 ECHELON E/BDIL MOTHER BOARD	1
7	1150631 ECHELON DISPLAY BOARD or 1150634 ECHELON SETUP RESISTOR BOARD	1
8	1150632 ECHELON D/B FAN SPEED CONTROL	1
9	1170026 RELAY OMERON 240V AC COIL 2 POLE	2
10	1170030 SAFETY RELAY 4 POLE (10-RMS/12DC)	1
11	1170092 RELAY BASE FOR OMERON 2 POLE RELAY	2
12	1190020 RESET BUTTON	1
13	1190061 SWITCH ROCK DPCD 3PSN	1
14	8050087 22mm CABLE GLAND	4
15	8210291 M12 CABLE GLAND	1
16	8210003 DIN RAIL	1
17	J21200018 12 WAY CONNECTOR (PLUG+SOCKET)	1
18	M4x16mm LONG BRASS EARTH STUD	1

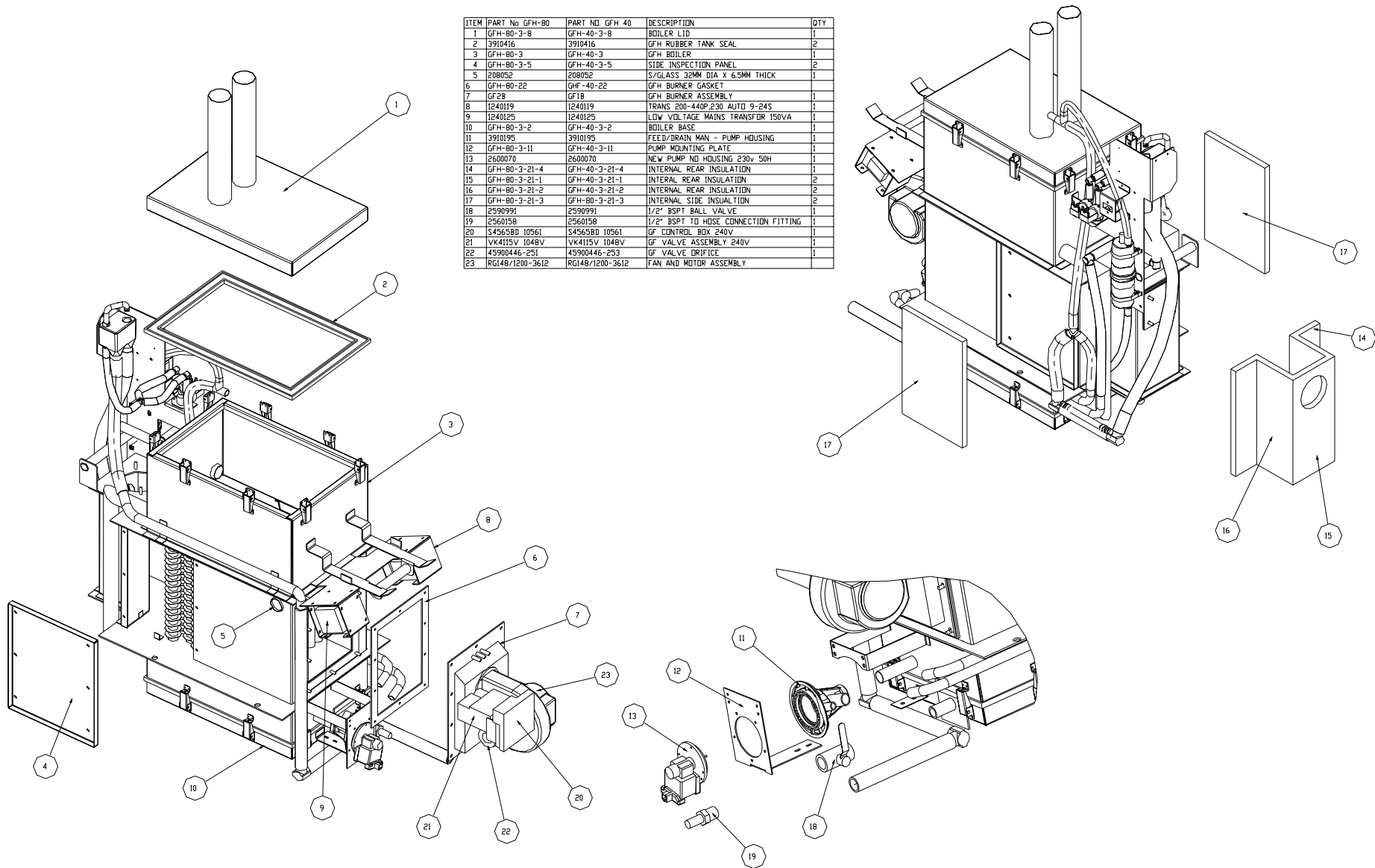
STEP *3*: PLINTH DETAILS



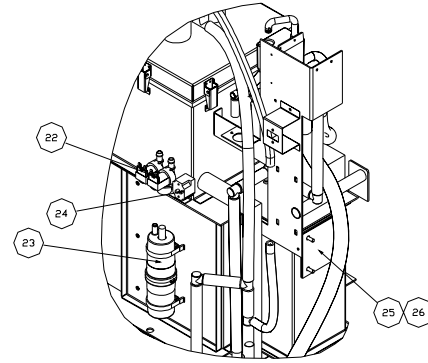
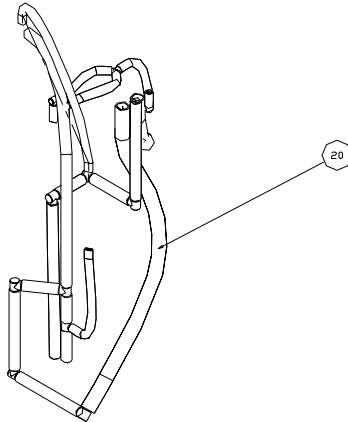
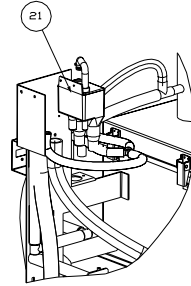
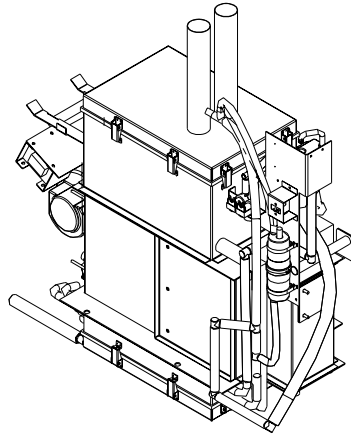
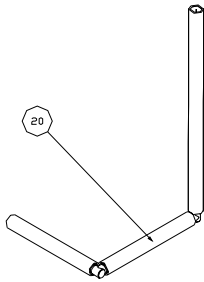
VERTICAL FLUE OPTION SHOWN IN THESE VIEWS

ITEMPART No	DESCRIPTION	QTY
1	STEP 1 80 kg/h GFH UNIT "STEP 1"	1
2	GFH_80_12 80kg/h GFH TUNDISH	1
3	GFH_80_17 80kg/h GFH HDR FLUE BLANK PLATE or GFH_80_10 80kg/h GFH HDR FLUE CONNECTION PLATE	1
4	GFH_80_21 GFH FLUE PLATE GASKET	1
5	GFH_80_23 GFH FEED PIPE	1
6	1050160 ELECTRIC BOX	1
7	2520028 3/4" BSPT NIPPLE BRASS	1
8	2590553 3/4" BSPT TO 1/2" BUSH	1
9	2590876 1/2" BSPT TO 15mm COMPRESSION FITTING	1
10	2590893 1" BSPT TO 28mm COMPRESSION FITTING	1
11	2590991 1/2" BSPT BALL VALVE	1
12	2591190 1/2" BSPT TO 15mm BULKHEAD COMPR FITTING	1
13	2620525 3/4" BSPT BALL VALVE	1
14	4080007 DZUS STRIKER TL110-I-5	2
15	8050087 20mm CABLE GLAND	4
16	8050291 12mm CABLE GLAND	1
17	M520250 1/2" BSPT FLEXIBLE PIPE	1

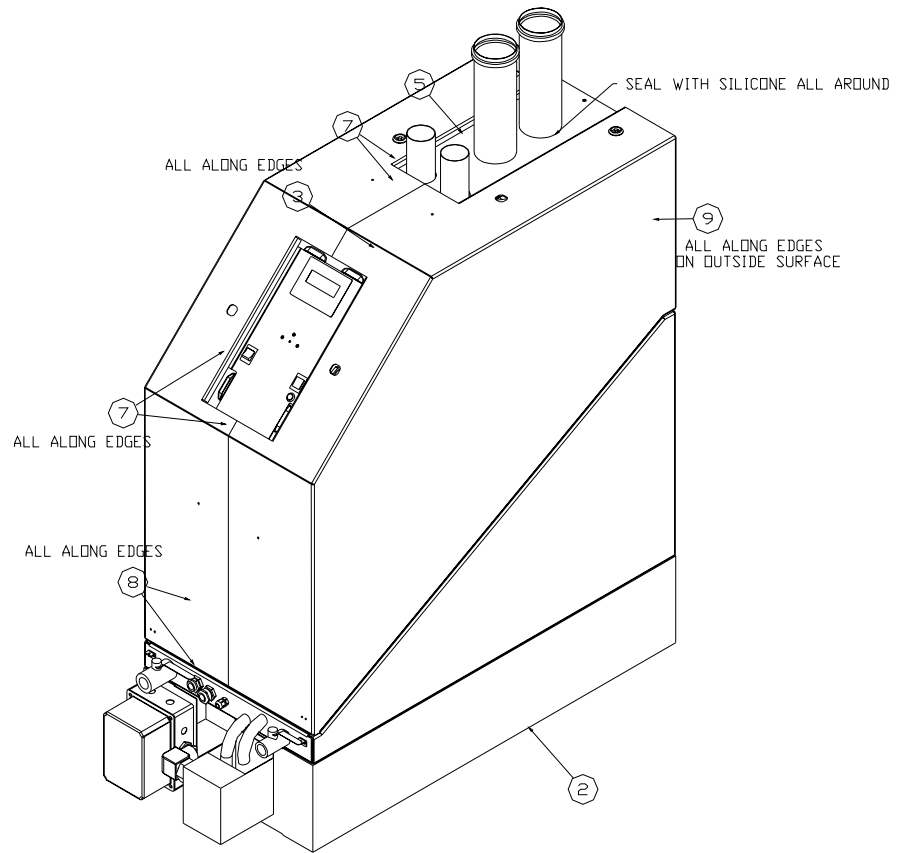
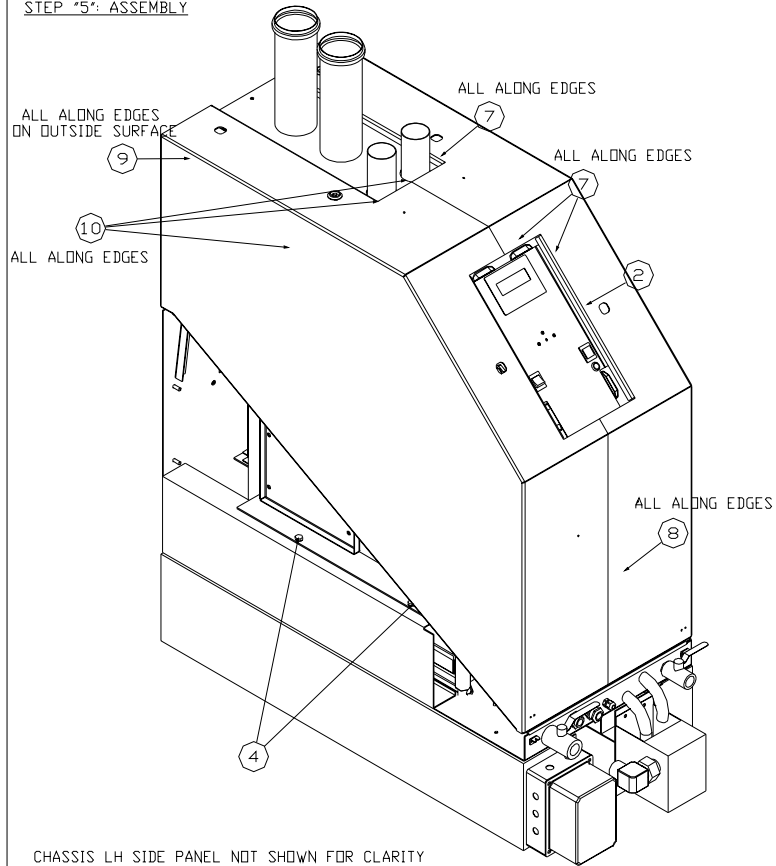
ITEM	PART No GFH-80	PART NO GFH 40	DESCRIPTION	QTY
1	GFH-80-3-8	GFH-40-3-8	BOILER LID	1
2	3910416	3910416	GFH RUBBER TANK SEAL	2
3	GFH-80-3	GFH-40-3	GFH BOILER	1
4	GFH-80-3-5	GFH-40-3-5	SIDE INSPECTION PANEL	2
5	208052	208052	S/GLASS 32MM DIA X 6.5MM THICK	1
6	GFH-80-22	GFH-40-22	GFH BURNER GASKET	1
7	GF8	GF8	GFH BURNER ASSEMBLY	1
8	1240119	1240119	TRANS 200-440P 230 AUTO 9-24S	1
9	1240125	1240125	LOW VOLTAGE MAINS TRANSFOR 150VA	1
10	GFH-80-3-2	GFH-40-3-2	BOILER BASE	1
11	3910195	3910195	FEED/DRAIN MAN - PUMP HOUSING	1
12	GFH-80-3-11	GFH-40-3-11	PUMP MOUNTING PLATE	1
13	2600070	2600070	NEW PUMP NO HOUSING 230v 50H	1
14	GFH-80-3-21-4	GFH-40-3-21-4	INTERNAL REAR INSULATION	1
15	GFH-80-3-21-1	GFH-40-3-21-1	INTERNAL REAR INSULATION	2
16	GFH-80-3-21-2	GFH-40-3-21-2	INTERNAL REAR INSULATION	2
17	GFH-80-3-21-3	GFH-80-3-21-3	INTERNAL SIDE INSULATION	2
18	2590991	2590991	1/2" BSPT BALL VALVE	1
19	2560158	2560158	1/2" BSPT TO HOSE CONNECTION FITTING	1
20	S4565BD 10561	S4565BD 10561	GF CONTROL BOX 240V	1
21	VK4115V 1048V	VK4115V 1048V	GF VALVE ASSEMBLY 240V	1
22	45900446-251	45900446-253	GF VALVE DRIFICE	1
23	RGI48/1200-3612	RGI48/1200-3612	FAN AND MOTOR ASSEMBLY	1



ITEM	PART NO. GFH-80	PART NO. GFH-40	DESCRIPTION	QTY
20	GFH-80-28	GFH-40-28	GFH SILICON TUBE SET	1
21	3910168		TUNDISH FILL CUP VAPAC SRS 4	1
22	2620354		VALVE ASSY. TWIN OUTLET 2.5L/MIN	1
23	3910190		FLOAT CHAMBER ORIV LEVEL SENSE	1
24	1210099		CAPILLARY & BULB THERMISTAT	1
25	GFH-80-16		GFH FLUE OUTLET BLANK PLATE	1
26	GFH-80-25		GFH BOILER BLANK FLUE GASKET	1



STEP *5*: ASSEMBLY

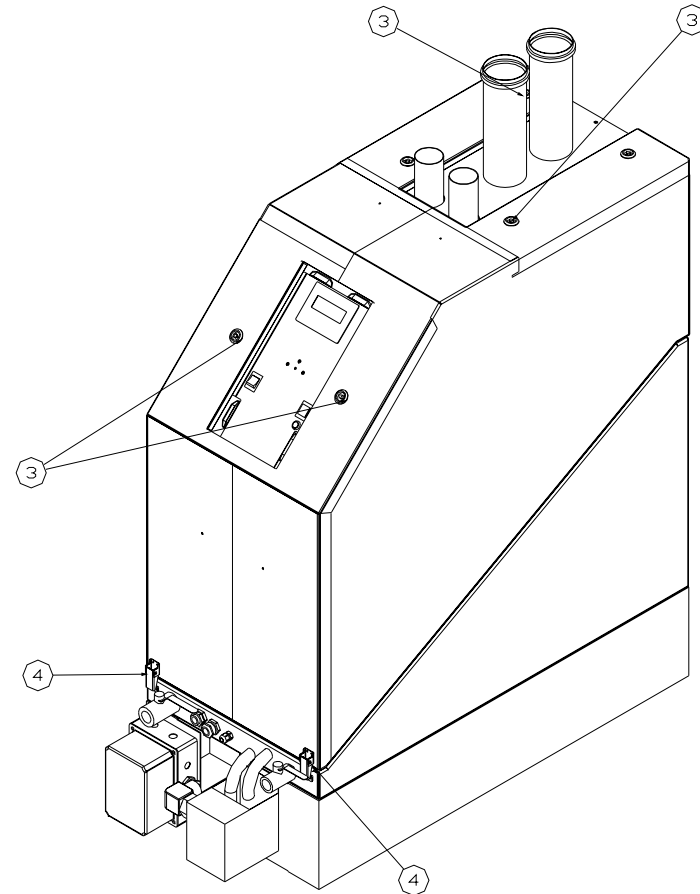
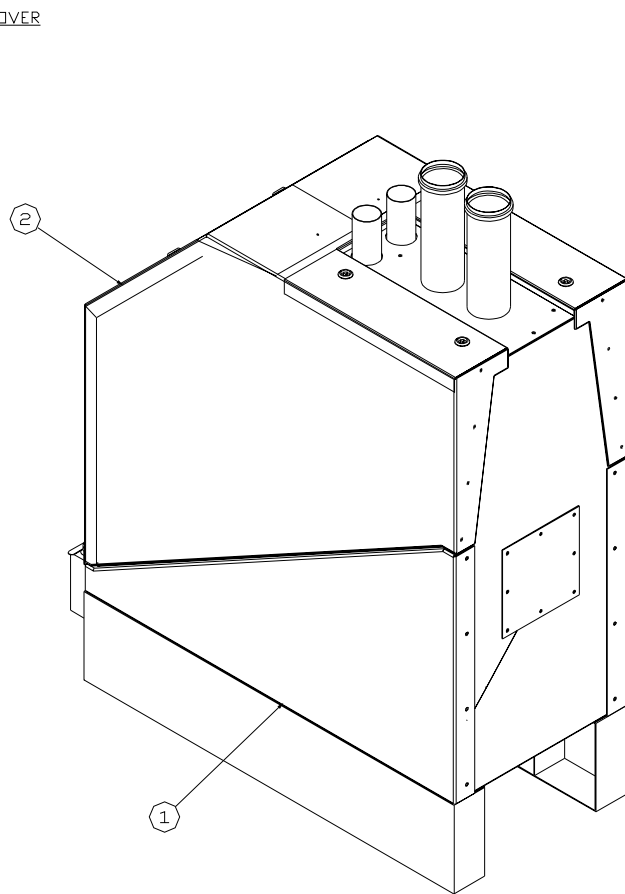


VERTICAL FLUE OPTION SHOWN IN THESE VIEWS

6 TO BE SCREWED TO GAS BURNER VALVE AND TO 3/4" GAS BALL VALVE

ITEM	GFH-80 PART No	GFH-40 PART No	DESCRIPTION	QTY
1	STEP 2	STEP 2	80kg/h GFH UNIT *STEP 3*	1
2	STEP 3	STEP 3	80kg/h GFH UNIT *STEP 3*	1
3	STEP 4	STEP 4	80kg/h GFH UNIT *STEP 4*	1
4	4100409	4100409	M8x40mm S/S BOLT	4
5	GFH_80_8 or GFH_80_9	GFH_80_8 or GFH_40_9	80kg/h GFH VERT FLUE BLANK PLATE or GFH VERT FLUE CONNECTION PLATE	1
6	2160323	2160323	3/4" BSP FLEXIBLE GAS PIPE	1
7	3910028	3910028	FRONT CONTACT SELF GRIPPING SEAL	3
8	3910029	3910029	SIDE CONTACT SELF GRIPPING SEAL	2.5
9	2160126	2160126	2" WIDE FELT STRIP	1
10	8100010	8100010	EDGING STRIP	0.3

STEP *6*: COVER



VERTICAL FLUE OPTION SHOWN IN THESE VIEWS

ITEMPART No	DESCRIPTION	QTY
1	STEP 5 80 kg/h GFH UNIT *STEP 4*	1
2	GFH 80_5 80kg/h GFH CASING COVER ASSY	1
3	4030018 AND 4030019 DZUS PAWL LATCHES 43 SERIES	4
4	4080007 DZUS LATCHES TL110-1	2