

COLMAN

E N G I N E E R E D A I R D I S T R I B U T I O N

EXHAUST VALVES MODEL AOOJ

AOOJ Exhaust Valves are an aesthetically pleasing terminal device which combine good appearance with accurate control over exhaust air volumes. The careful aerodynamic and acoustic design of the unit ensures low sound levels even at high pressure drop settings.

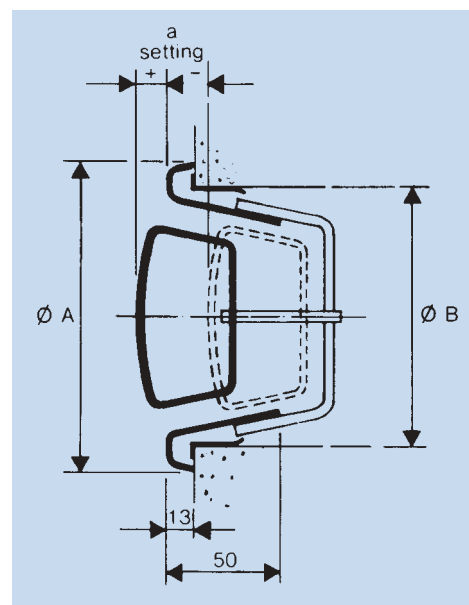
These valves are manufactured from high quality sheet steel with a RAL 9010 finish and can be easily installed with the aid of the mounting ring, which is supplied with sealing gasket with every unit.

These units can be used for toilet extract, or any extract point requiring an accurate and easily set air volume.

Units with fusible links are available to order. Please contact your local sales office.

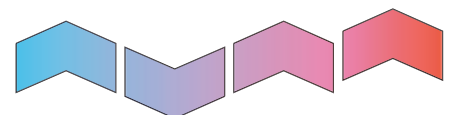
Plenum boxes are not supplied.

AOOJ	ØA	ØB	Weight kg
100	140	99	0.3
125	165	124	0.4
160	200	159	0.6
200	250	199	0.9



A

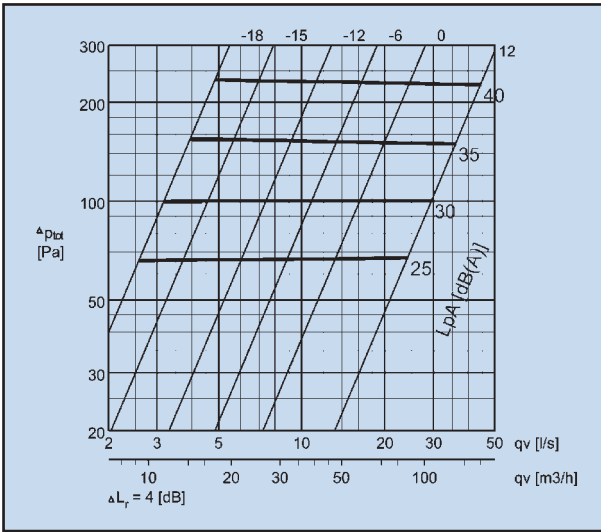
SERIES



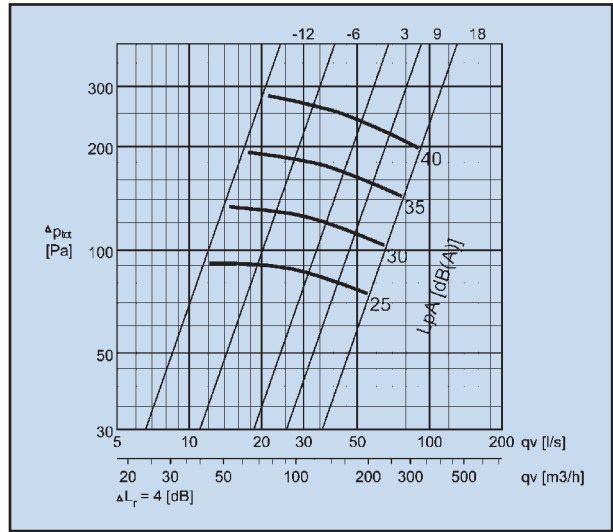
Performance Data

Exhaust Control Valve

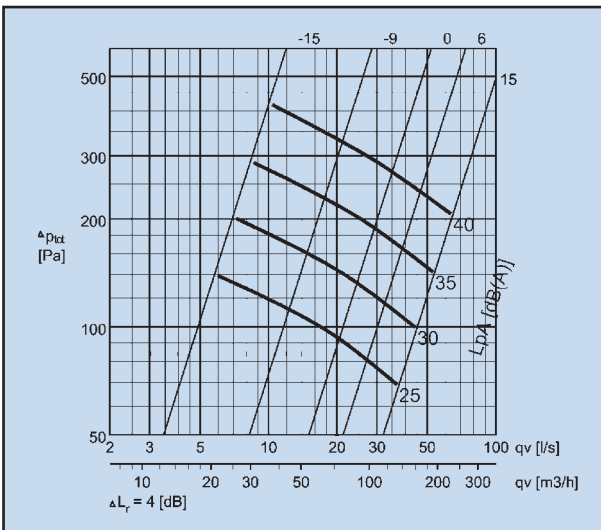
Model AOOJ 100



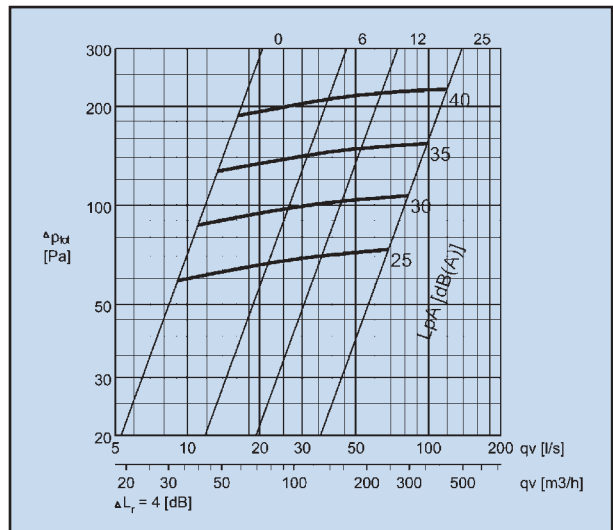
Model AOOJ 160



Model AOOJ 125



Model AOOJ 200



Also available:
AOKK Supply Valves — See separate sheet.

ORDER CODES

AOOJF = (with fusible link)
AOOJ + (Diameter)

Exhaust Valve

Colour = RAL 9010

**COLMAN
MODUCEL**

Air Distribution and Air Handling

Oldfields Business Park
Birrell Street, Fenton
Stoke-on-Trent ST4 3ES
Telephone: +44 (0)1782 599995
Facsimile: +44 (0)1782 332092
email: colman.moducel@eaton-williams.com


Eaton-Williams

Station Road, Edenbridge
Kent TN8 6EG, England
Telephone: +44 (0)1732 866055
Facsimile: +44 (0)1732 869626
www.eaton-williams.com