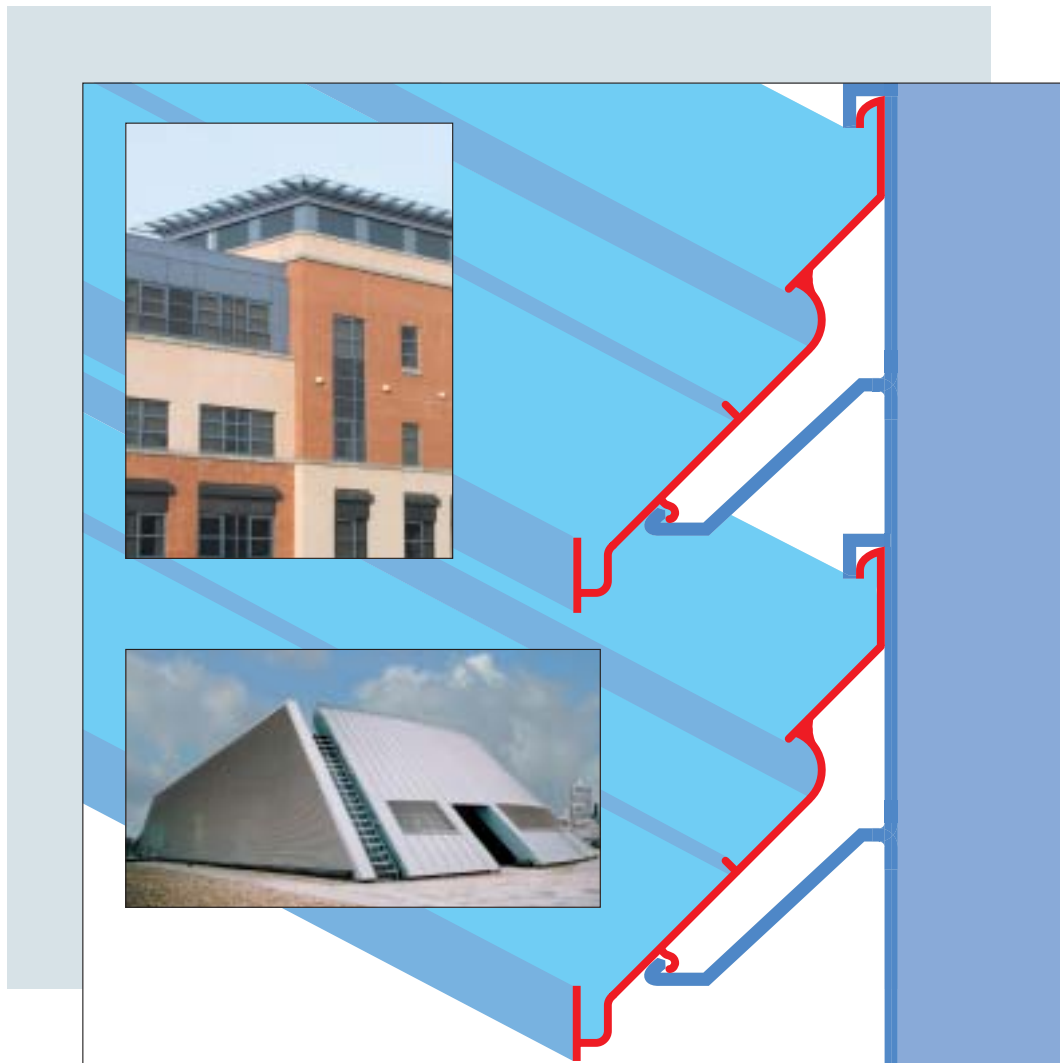


CI/Sfb
31.8 & 57.7 Xh
Louvres 1 Dec 2006

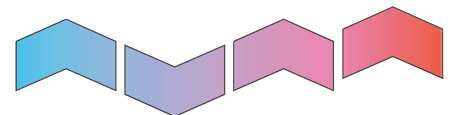
COLMAN

ENGINEERED AIR DISTRIBUTION

SITE ASSEMBLED CLIP-IN LOUVRE SYSTEM W SERIES



W
SERIES



W SERIES

SITE ASSEMBLED CLIP-IN LOUVRE SYSTEM



Specify with Confidence

Colman have been supplying and installing louvres for over 30 years and have developed a site assembled 'clip-in' system — ideal for fast-track projects and those where access can be a problem.

The system can incorporate single and double doors with a wide range of optional accessories.

A free area of up to 60% is available with the 100mm system where weathering is not a critical factor.

For fully weathered applications, the optimum performance is achieved with the 75mm system which has a typical free area of 45%.

Benefits of the Colman 'Clip-in' System

- Ease of installation — front and rear or front only.
- Minimal handling.
- 'Light' but robust structure.
- Aesthetically pleasing.
- Continuous lines.
- Minimum maintenance.
- Secure.
- Advanced technical system.
- BSRIA tested.
- Available in RAL colours.

Material

Extruded aluminium section to BS 1474: 6063: T6.

Frame

Flanged or flangeless extruded frame profiles.

Blades

Single bank, integral drainage channel, anti-cascade trap and rain lip.

Blade Pitch

50mm, 75mm and 100mm pitch.

Blade Clip

Factory fitted, purpose designed, aluminium clip to ensure accurate alignment of blade profiles.

Blade Angle

45 degrees.

Mullions

Mullions are selected to suit each particular application. High performance mullion units are available for assemblies required to withstand severe wind loadings.



▲ Brushfield Street.

SITE ASSEMBLED 'CLIP-IN' LOUVRE SYSTEM



▲ Arndale Centre, Manchester.



▲ Riverside Drive Office, Aberdeen.



▲ MCR Museum.

Bird Mesh

Expanded aluminium or galvanised weld mesh.

Insect Mesh

Corlene fibre glass reinforced woven screen.

Cills and Flashings

CNC press formed aluminium profiles.

Blanking Plates

Plain metal blanking plates in either galvanised mild steel or aluminium sheet which can be combined with phenolic foam insulated panels.

Fixing

Standard arrangement via rear fixing lugs with special fixing arrangements designed to suit individual projects.

Features

Single or double leaf doorsets, internal/external mitred corners and irregular shapes.

Finishes

Polyester Powder coated in accordance with BS 6496 to BS and RAL ranges. Syntha Pulvin Plus and Metallic Ranges. Anodised AA25 to BS 3987. Mill Finish.

Weights

50mm Blade System
11kg/m² face area complete with standard mullion.

75mm Blade System
12kg/m² face area complete with standard mullion.

100mm Blade System
13kg/m² face area complete with standard mullion.



▲ NCR Dundee.



▲ Coventry University Library.



▲ East Village.

'CLIP-IN' SYSTEM — LOUVRE ARRANGEMENT

Typical Applications

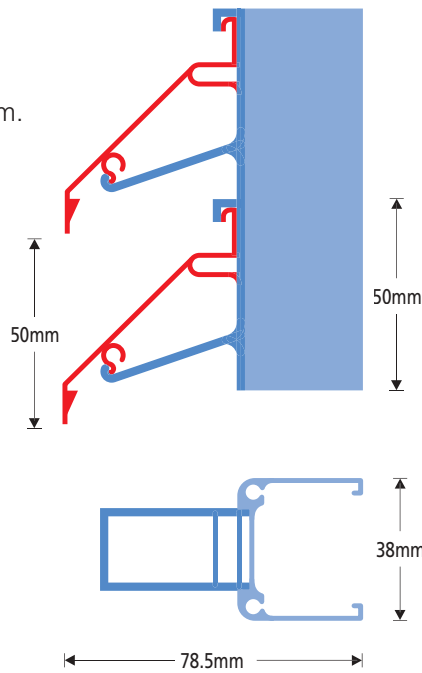
Screening: 50mm and 100mm.

Cladding: 50mm, 75mm, 100mm.

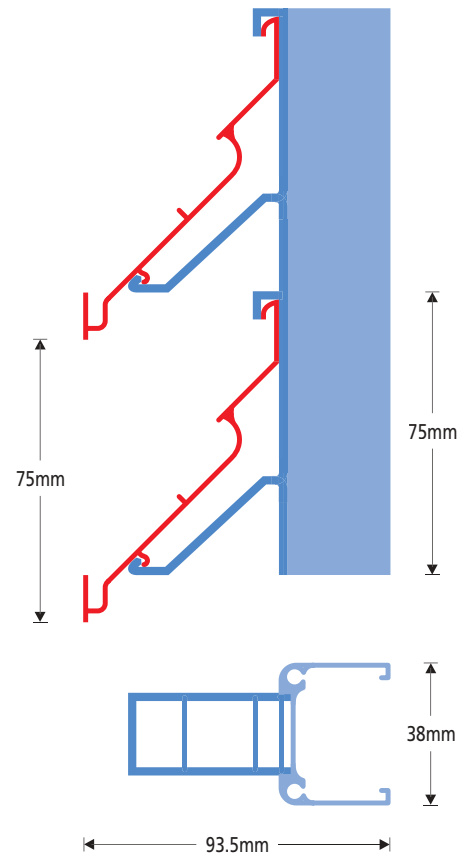
Weathering: 75mm.

Manufactured to
BS EN ISO 9001 : 1994.

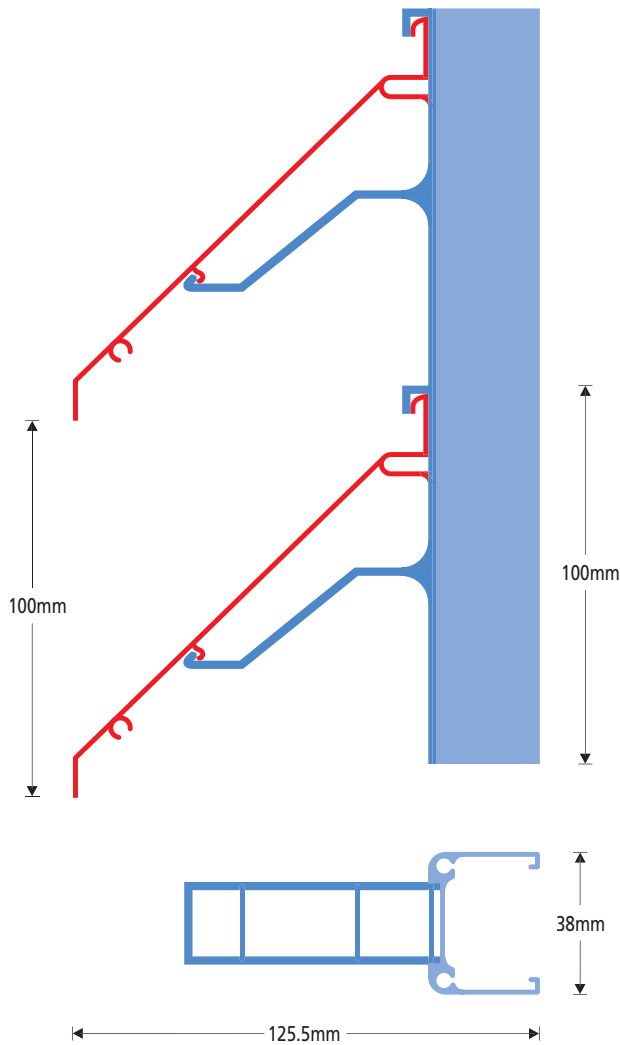
BSI Registered —
Certificate Q 05026.



50mm Blade & Clip Assembly



75mm Blade & Clip Assembly



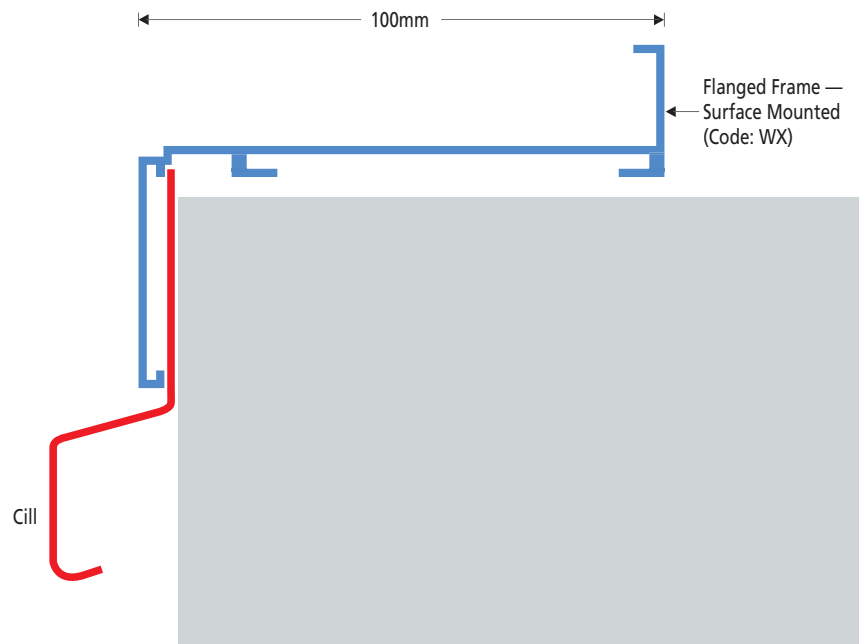
100mm Blade & Clip Assembly

'CLIP-IN' SYSTEM — FRAMES & CILLS

Sizes: A highly flexible product with no size limitations.

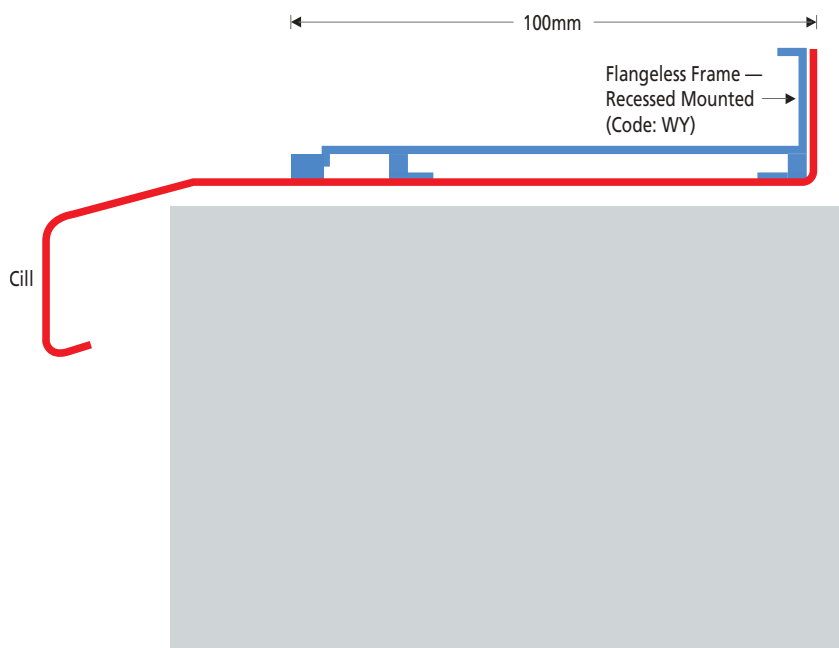
Frames: To meet the site requirements both flanged and flangeless frames are available.

Cills: These drawings are the standard profiles. Other profiles are available to suit specific applications.



Flanged Frame with Standard Cill Profile

Suitable for Surface Mounting
(Product Code: WX00A)



Flangeless Frame with Standard Cill Profile

Suitable for Recessed Mounting
(Product Code: WY00B)

'CLIP-IN' SYSTEM — FIXING DETAILS & INSTALLATION

Fixing Details

Installation can be carried out by either Colman trained and experienced installers or by the contractor.

Ease of installation is a major benefit of this system enabling projects to be completed rapidly.

▼ Crosby Sports Centre.



▲ Shell Odidi Gas Rig.



▲ Burton Place.

Installation

The installation of the 'clip-in' louvre system would proceed in the following sequence:

1. Extruded aluminium frames and cills are fitted to the perimeter of the structure opening, being fixed and sealed in position.
2. The extruded aluminium assemblies containing the factory fitted aluminium blade support clips would then be positioned vertically at specific centres within the louvre aperture formed by the perimeter framing and would be fixed using purpose designed brackets.
3. After ensuring that the alignment of the mullions is correct in terms of pitch centres, and that they are set both level and vertical, the mullions can be secured using fastenings suitable for the site conditions.
4. The louvre blades can now be located with the blade support clips and easily locked into position by means of engaging the 'clip-in' mechanism.
5. Where required, accessories such as bird mesh guard, insect screen, blanking plates — both plain and insulated can be fitted to the rear of the louvre blades and mullions.

▼ Victoria Quays.



▼ Bridgeview.



▲ Curved Louvre Screen installed at Kilcraigs Mill, Alloa.

SITE ASSEMBLED 'CLIP-IN' LOUVRE SYSTEM

Static Pressure Loss (Pa)

Blade Type	Application	Nett Face Velocity (m/s)											
		0.25	0.50	0.75	1.00	1.25	1.50	1.75	2.00	2.25	2.50	2.75	3.00
'J' Blade 50mm Pitch	Intake (Pa)	0	2	4	8	13	19	26	34	44	55	68	82
	Exhaust (Pa)	0	2	4	8	13	17	23	30	38	47	57	68
'K' Blade 75mm Pitch	Intake (Pa)	1	3	7	12	19	28	38	49	62	77	93	110
	Exhaust (Pa)	1	2	6	10	16	23	31	40	51	64	77	92
'L' Blade 100mm Pitch	Intake (Pa)	0	2	4	7	7	15	20	27	33	41	50	59
	Exhaust (Pa)	0	2	4	7	7	14	19	25	31	38	46	54

All static pressure loss given in pascals (Pa) for external louvre fitted with bird mesh.

A factor of 1.15 should be applied to the above values in all instances where the use of insect mesh is required.

Options and Order Codes

Louvre System Codes

1. SERIES	2. FRAME	3. BLADE	4. ACCESSORIES	5. CILLS/HEADS	6. FIXING	7. FINISH
W	0 None D Continuous appearance style door H Framed style door L Hinged panel X 50mm flanged frame 100mm deep Y Flangeless frame 100mm deep 1 Special	0 None J 50mm clip-in blade K 75mm clip-in blade L 100mm clip-in blade 1 Special	0 None B Bird mesh E Expanded metal mesh F Insect mesh P Blanking plate R Bird mesh and blanking plate S Insect mesh and blanking plate 1 Special	0 None A Cill section for flanged frame B Cill section for flangeless frame C Weather drip cill section H Weather drip head section J Jamb flashing K Head flashing L Cill flashing 1 Special	0 None B Screw holes through the frame web C Fixing bracket S Support post 1 Special	0 Mill finish P Powder coated (specify colour) E RAL 9010 gloss white F RAL 9010 matt white 3 RAL 9006 metallic silver 8 Matt black A Satin silver anodised 1 Special S Syntha pulvin

WYKBBB3

WYKBBB3

100mm deep flangeless frame, having a 75mm clip-in blade, bird mesh, cill section for flangeless frame, fixed with screws through the frame web.

Finish: Polyester powder coated RAL 9006 metallic silver.

PRODUCT RANGES

GRILLES	DIFFUSERS	DISPLACEMENT
Linear Bar	Linear Slot	Ventilation
Ceiling	Louvre Face	
Sidewall	Sidewall	LOUVRES
Floor	Perforated Face	External
Computer Floor	Vee Face Two Way	Circular
Cill	Circular	Doors
Single & Double Deflection	Swirl	Screens
Egg Crate	Ceiling	Penthouse
Hinged Core	Sidewall Fixed & Adjustable	Acoustic
Door Transfer	Jet Flow	Triangular
Security and Prison		Irregular Shaped
		Sloping Roof Louvres

COLMAN

Air Distribution

Oldfields Business Park
 Birrell Street, Fenton
 Stoke-on-Trent ST4 3ES
 Telephone: +44 (0)1782 599995
 Facsimile: +44 (0)1782 332092
www.eaton-williams.com



We reserve the right to alter specifications without notice and products will sometimes be supplied with modifications which do not strictly comply with the descriptions and illustrations in this publication.

0413128 WSAC /1.07/2